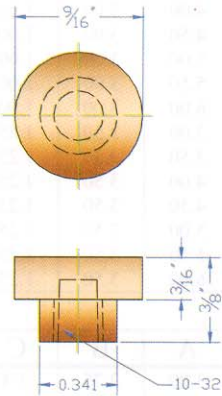
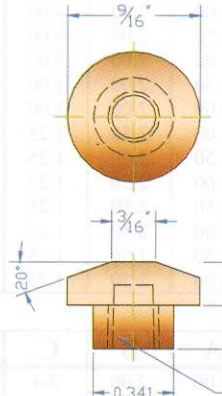


Item No.	A	D
ZJ400	3.00	3/4
ZJ401	3.00	7/8
ZJ402	3.00	1.00
ZJ403	3.00	1.25
ZJ404	3.00	1.50
ZJ405	4.00	3/4
ZJ406	4.00	7/8
ZJ407	4.00	1.00
ZJ408	4.00	1.25
ZJ409	4.00	1.50

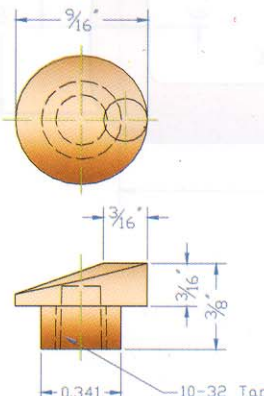
ZJ-24 FLAT FACE



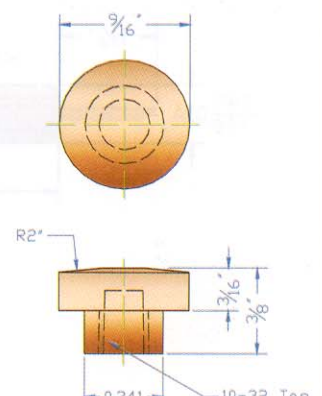
TRUNCATED ZJ-25



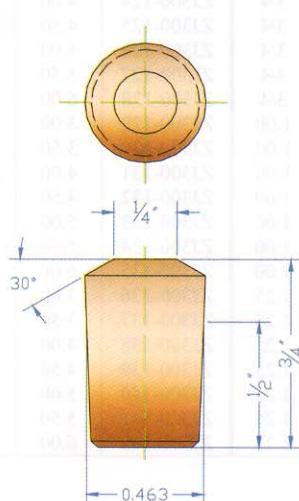
OFFSET ZJ-26



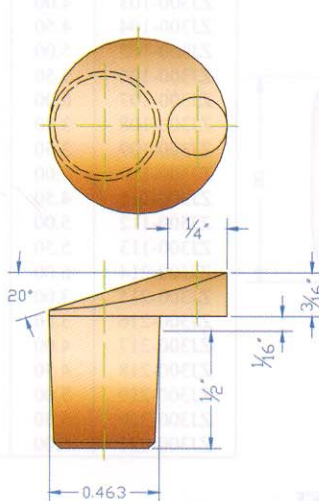
RADIUS ZJ-27



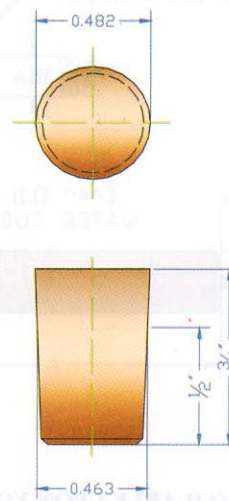
TRUNCATED ZJ-28



OFFSET ZJ-29



FLAT FACED ZJ-30



ADDITIONAL SIZES AVAILABLE UPON REQUEST. TIPS ARE AVAILABLE IN CLASS 2 OR CLASS 3 ALLOY.