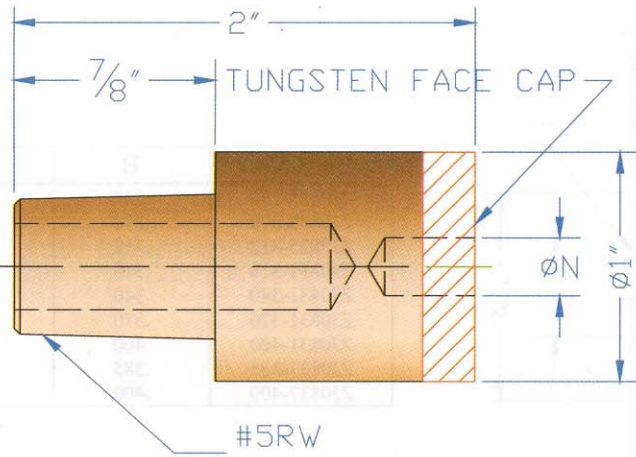


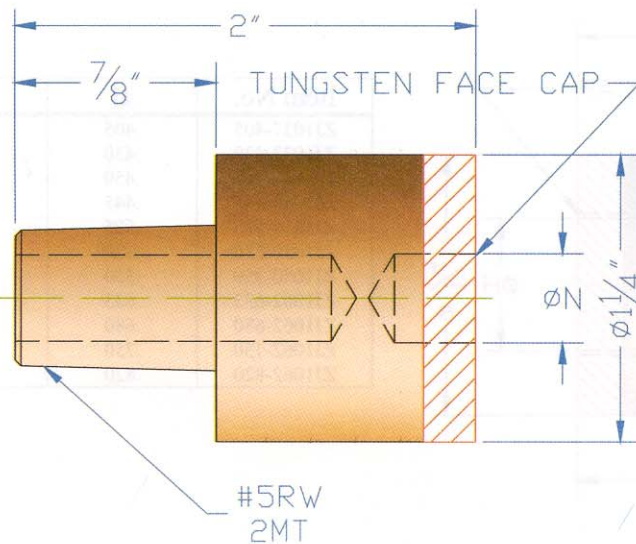
Item No.	N
ZJ5-23	.126
ZJ5-33	.140
ZJ5-43	.170
ZJ5-53	.187
ZJ5-M6	.190
ZJ5-63	.250
ZJ5-M8	.260
ZJ5-73	.312
ZJ5-M10	.328

ADDITIONAL PINS AND BODY SIZES ARE AVAILABLE; PLEASE SUPPLY US WITH A PRINT OR SAMPLE.



Item No.	N
ZJ8-14	.126
ZJ8-24	.140
ZJ8-34	.170
ZJ8-44	.187
ZJ8-M6	.190
ZJ8-64	.250
ZJ8-M8	.260
ZJ8-74	.312
ZJ8-M10	.328
ZJ8-84	.355
ZJ8-94	.409

ADDITIONAL PINS AND BODY SIZES ARE AVAILABLE; PLEASE SUPPLY US WITH A PRINT OR SAMPLE.



Item No.	N
ZJ10-15	.126
ZJ10-25	.140
ZJ10-35	.170
ZJ10-45	.187
ZJ10-M6	.190
ZJ10-55	.250
ZJ10-M8	.260
ZJ10-65	.312
ZJ10-M10	.328
ZJ10-75	.355
ZJ10-M12	.388
ZJ10-85	.409
ZJ10-M14	.455

ADDITIONAL PINS AND BODY SIZES ARE AVAILABLE, PLEASE SUPPLY US WITH A PRINT OR SAMPLE.
 1/9.6 TAPER AVAILABLE IN ALL SIZES.