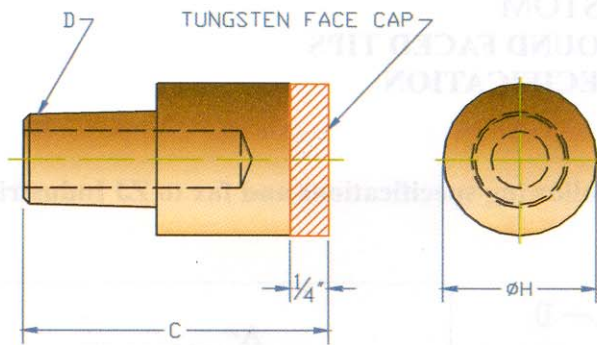


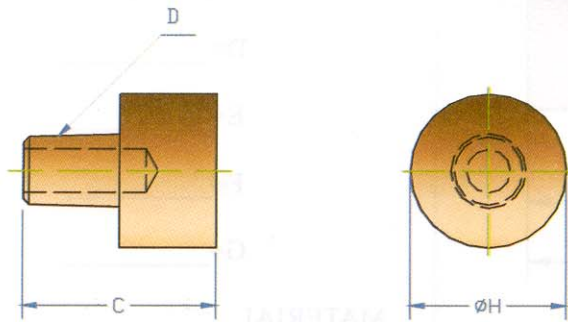
UPPER ELECTRODE-TUNGSTEN FACED



ADDITIONAL SIZES AVAILABLE UPON YOUR REQUEST
TIPS WITH 1/9.6 TAPER ARE AVAILABLE

Item No.	C	D	H
ZJ65-200	1.75	4RW	3/4
ZJ65-201	2.00	4RW	3/4
ZJ65-202	2.25	4RW	3/4
ZJ65-203	2.50	4RW	3/4
ZJ65-204	2.75	4RW	3/4
ZJ65-205	3.00	4RW	3/4
ZJ65-206	3.25	4RW	3/4
ZJ65-207	3.50	4RW	3/4
ZJ65-208	2.00	5RW	1.00
ZJ65-209	2.50	5RW	1.00
ZJ65-210	3.00	5RW	1.00
ZJ65-211	3.50	5RW	1.00
ZJ65-212	2.00	5RW	1.25
ZJ65-213	2.50	5RW	1.25
ZJ65-214	3.00	5RW	1.25
ZJ65-215	3.50	5RW	1.25

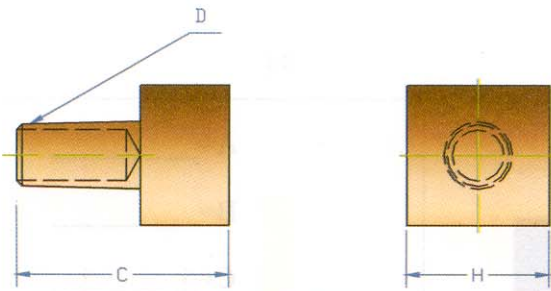
ROUND FACED TIPS



ADDITIONAL SIZES AVAILABLE UPON YOUR REQUEST

Item No.	C	D	H
ZJ75-400	1.50	4RW	3/4
ZJ75-401	2.00	4RW	3/4
ZJ75-402	2.50	4RW	3/4
ZJ75-403	3.00	4RW	3/4
ZJ75-404	3.50	4RW	3/4
ZJ75-405	2.00	5RW	1.00
ZJ75-406	2.50	5RW	1.00
ZJ75-407	3.00	5RW	1.00
ZJ75-408	3.50	5RW	1.00
ZJ75-409	2.00	5RW	1.25
ZJ75-410	2.50	5RW	1.25
ZJ75-411	3.00	5RW	1.25
ZJ75-412	3.50	5RW	1.25
ZJ75-413	2.00	5RW	1.50
ZJ75-414	2.50	5RW	1.50
ZJ75-415	3.00	5RW	1.50
ZJ75-416	3.50	5RW	1.50
ZJ75-417	3.00	5RW	2.00
ZJ75-418	3.50	5RW	2.00
ZJ75-419	3.00	6RW	2.00
ZJ75-420	3.50	6RW	2.00

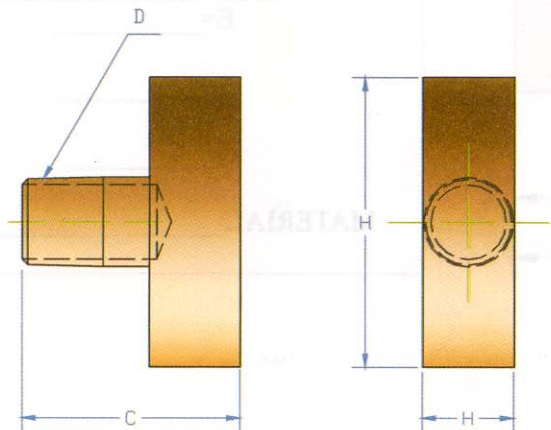
SQUARE FACED TIPS



ADDITIONAL SIZES AVAILABLE UPON YOUR REQUEST

Item No.	C	D	H
ZJ85-600	1.50	4RW	1/2
ZJ85-601	1.62	4RW	1/2
ZJ85-602	1.75	4RW	1/2
ZJ85-603	2.00	4RW	1/2
ZJ85-604	2.25	4RW	1/2
ZJ85-605	1.75	5RW	5/8
ZJ85-606	2.00	5RW	5/8
ZJ85-607	2.25	5RW	5/8
ZJ85-608	2.50	5RW	5/8
ZJ85-609	1.75	6RW	1.00
ZJ85-610	2.00	6RW	1.00
ZJ85-611	2.25	6RW	1.00

RECTANGULAR FACED TIPS

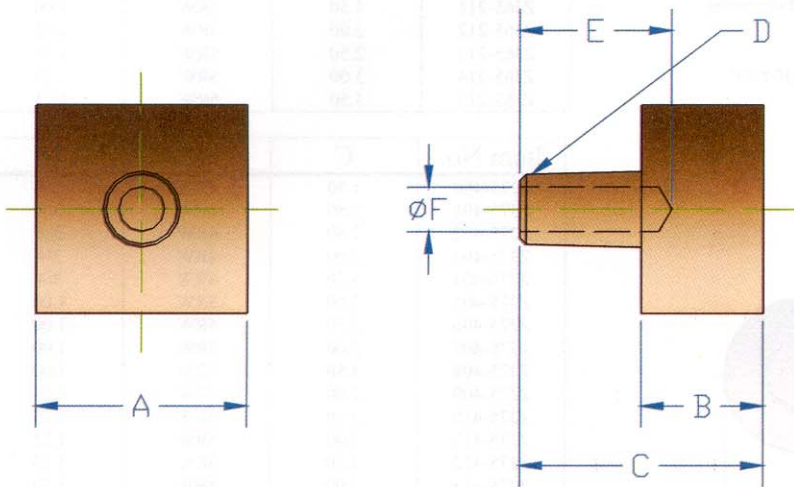


ADDITIONAL SIZES AVAILABLE UPON YOUR REQUEST

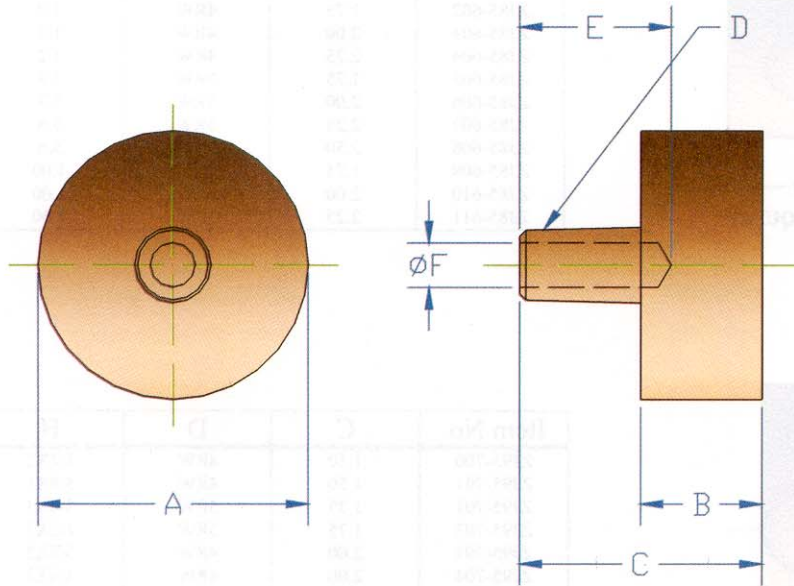
Item No.	C	D	H
ZJ95-700	1.50	4RW	1/2X1
ZJ95-701	1.50	4RW	5/8X1
ZJ95-701	1.75	5RW	3/4X1
ZJ95-702	1.75	5RW	1/2X1
ZJ95-703	2.00	4RW	5/8X2
ZJ95-704	2.00	4RW	3/4X2
ZJ95-705	2.00	4RW	1X2
ZJ95-706	2.00	5RW	5/8X2
ZJ95-707	2.00	5RW	3/4X2

CUSTOM
SQUARE AND ROUND FACED TIPS
TO YOUR SPECIFICATION

To place your order, simply copy this page, fill out the Following specifications and fax to ZJ Industries, Inc.



A= _____
 B= _____
 C= _____
 D= _____
 E= _____
 F= _____
 G= _____
 MATERIAL _____



A= _____
 B= _____
 C= _____
 D= _____
 E= _____
 F= _____
 G= _____
 MATERIAL _____