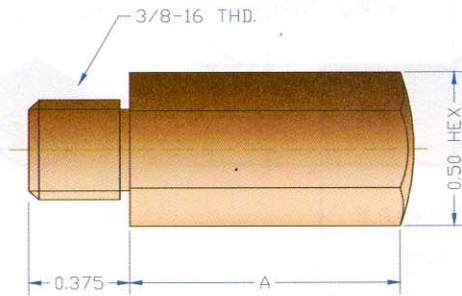
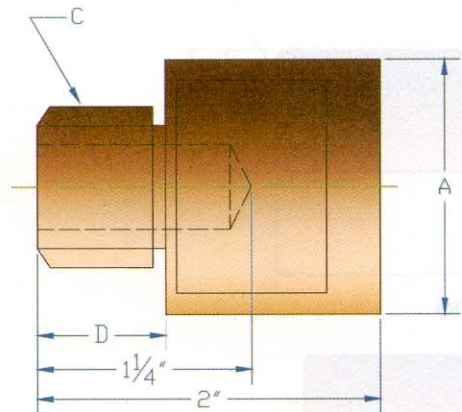


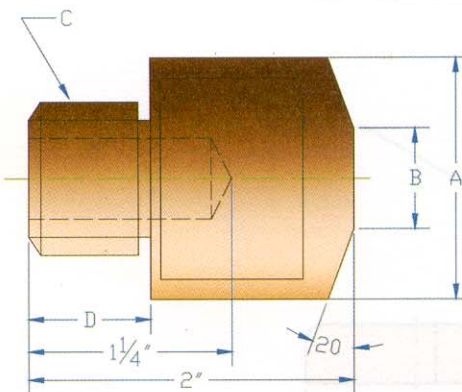
"C" NOSE		"F" NOSE	
Item No.	A	Item No.	A
ZJ37-C31	.312	ZJ37-F31	.312
ZJ37-C37	.375	ZJ37-F37	.375
ZJ37-C43	.437	ZJ37-F43	.437
ZJ37-C50	.500	ZJ37-F50	.500
ZJ37-C56	.562	ZJ37-F56	.562
ZJ37-C62	.625	ZJ37-F62	.625
ZJ37-C75	.750	ZJ37-F75	.750
ZJ37-C87	.875	ZJ37-F87	.875
ZJ37-C10	1.00	ZJ37-F10	1.00



"C" NOSE		"F" NOSE	
Item No.	A	Item No.	A
ZJH37-C31	.312	ZJH37-F31	.312
ZJH37-C37	.375	ZJH37-F37	.375
ZJH37-C43	.437	ZJH37-F43	.437
ZJH37-C50	.500	ZJH37-F50	.500
ZJH37-C56	.562	ZJH37-F56	.562
ZJH37-C62	.625	ZJH37-F62	.625
ZJH37-C75	.750	ZJH37-F75	.750
ZJH37-C87	.875	ZJH37-F87	.875
ZJH37-C10	1.00	ZJH37-F10	1.00



Item No.	A	B	C	D
ZJM-0662	.75	/	5/8-11	5/8
ZJM-0862	1.00	/	5/8-11	5/8
ZJM-0962	1.12	/	5/8-11	5/8
ZJM-0875	1.00	/	3/4-10	3/4
ZJM-0975	1.12	/	3/4-10	3/4
ZJM-1075	1.25	/	3/4-10	3/4
ZJM-0987	1.12	/	7/8-9	3/4
ZJM-1087	1.25	/	7/8-9	3/4
ZJM-1287	1.50	/	7/8-9	3/4



Item No.	A	B	C	D
ZJTM-0662	.75	.25	5/8-11	5/8
ZJTM-0862	1.00	.31	5/8-11	5/8
ZJTM-0962	1.12	.37	5/8-11	5/8
ZJTM-0875	1.00	.31	-10	3/4
ZJTM-0975	1.12	.37	-10	3/4
ZJTM-1075	1.25	.50	-10	3/4
ZJTM-0987	1.12	.37	7/8-9	3/4
ZJTM-1087	1.25	.50	7/8-9	3/4
ZJTM-1287	1.50	.62	7/8-9	3/4

ADDITIONAL SIZES AVAILABLE UPON YOUR REQUEST