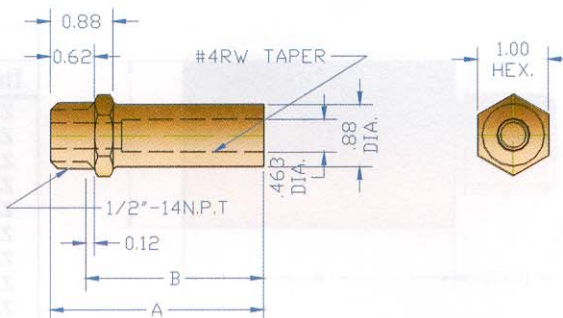
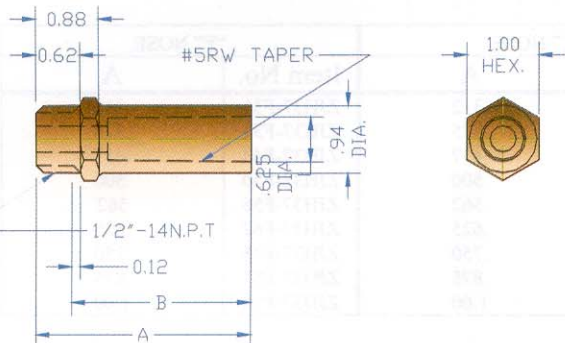


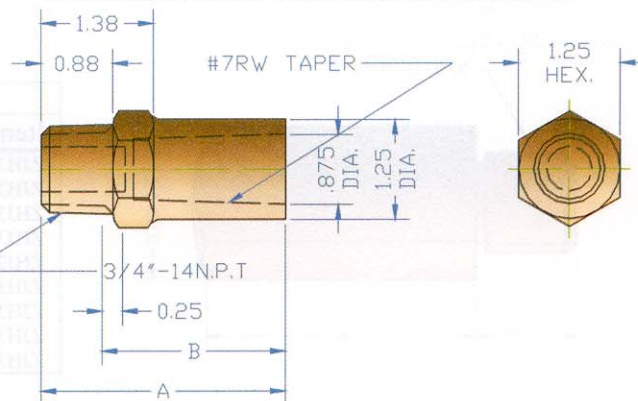
HEX ADAPTERS STRAGHT THREAD



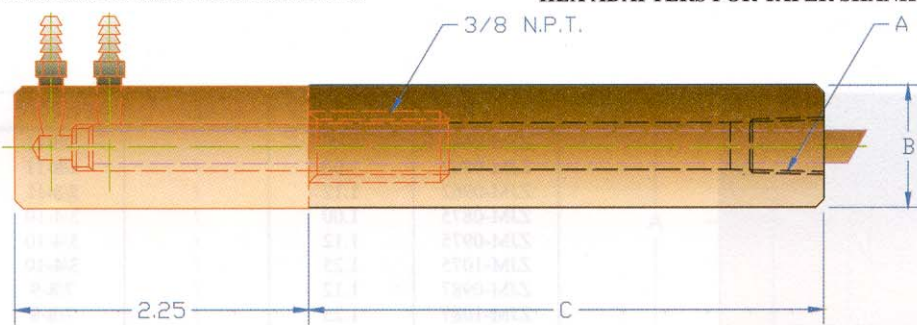
HEX ADAPTERS FOR TAPER SHANK ELECTRODES



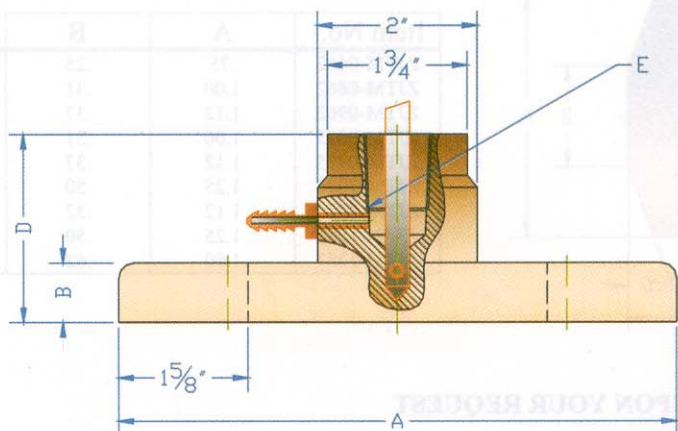
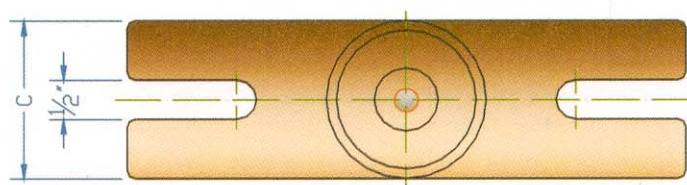
HEX ADAPTERS FOR TAPER SHANK ELECTRODES



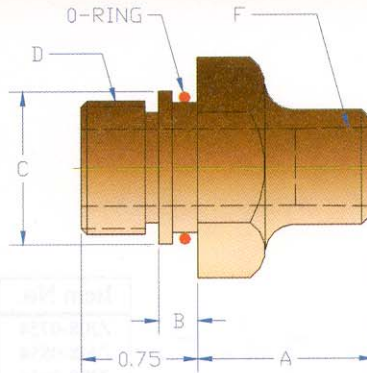
HEX ADAPTERS FOR TAPER SHANK ELECTRODES



NON-EJECTOR ELECTRODE HOLDERS



PM HOLDER



Item No.	A	B	C	D	F	Item No.	A	B	C	D	F
ZJ87-HS4-02	1/4					ZJ10-HS4-04	1/2				
ZJ87-HS4-04	1/2					ZJ10-HS4-06	3/4				
ZJ87-HS4-06	3/4					ZJ10-HS4-08	1				
ZJ87-HS4-08	1					ZJ10-HS4-10	1 1/4				
ZJ87-HS4-10	1 1/4					ZJ10-HS4-12	1 1/2				
ZJ87-HS4-12	1 1/2					ZJ10-HS4-14	1 3/4				
ZJ87-HS4-14	1 3/4					ZJ10-HS4-16	2				
ZJ87-HS4-16	2					ZJ10-HS4-18	2 1/4				
ZJ87-HS4-18	2 1/4					ZJ10-HS4-20	2 1/2				
ZJ87-HS4-20	2 1/2					ZJ10-HS4-22	2 3/4				
ZJ87-HS4-22	2 3/4	.250	.995	7/8-14	4RW TAPER	ZJ10-HS4-24	3		1.120	1-12	4RW TAPER
ZJ87-HS4-24	3					ZJ10-HS4-26	3 1/4	.250			
ZJ87-HS4-26	3 1/4					ZJ10-HS4-28	3 1/2				
ZJ87-HS4-28	3 1/2					ZJ10-HS4-30	3 3/4				
ZJ87-HS4-30	3 3/4					ZJ10-HS4-32	4				
ZJ87-HS4-32	4					ZJ10-HS4-34	4 1/4				
ZJ87-HS4-34	4 1/4					ZJ10-HS4-36	4 1/2				
ZJ87-HS4-36	4 1/2					ZJ10-HS4-38	4 3/4				
ZJ87-HS4-38	4 3/4					ZJ10-HS4-40	5				
ZJ87-HS4-40	5					ZJ10-HS4-42	5 1/4				
ZJ87-HS4-42	5 1/4					ZJ10-HS4-44	5 1/2				
ZJ87-HS4-44	5 1/2					ZJ10-HS4-46	5 3/4				
ZJ87-HS4-46	5 3/4					ZJ10-HS4-48	6				
ZJ87-HS4-48	6										
ZJ87-5HS-04	1/2					ZJ10-5HS-04	1/2				
ZJ87-5HS-06	3/4					ZJ10-5HS-06	3/4				
ZJ87-5HS-08	1					ZJ10-5HS-08	1				
ZJ87-5HS-10	1 1/4					ZJ10-5HS-10	1 1/4				
ZJ87-5HS-12	1 1/2					ZJ10-5HS-12	1 1/2				
ZJ87-5HS-14	1 3/4					ZJ10-5HS-14	1 3/4				
ZJ87-5HS-16	2					ZJ10-5HS-16	2				
ZJ87-5HS-18	2 1/4					ZJ10-5HS-18	2 1/4				
ZJ87-5HS-20	2 1/2					ZJ10-5HS-20	2 1/2				
ZJ87-5HS-22	2 3/4					ZJ10-5HS-22	2 3/4				
ZJ87-5HS-24	3	.250	.995	7/8-14	5RW TAPER	ZJ10-5HS-24	3		1.120	1-12	5RW TAPER
ZJ87-5HS-26	3 1/4					ZJ10-5HS-26	3 1/4	.250			
ZJ87-5HS-28	3 1/2					ZJ10-5HS-28	3 1/2				
ZJ87-5HS-30	3 3/4					ZJ10-5HS-30	3 3/4				
ZJ87-5HS-32	4					ZJ10-5HS-32	4				
ZJ87-5HS-34	4 1/4					ZJ10-5HS-34	4 1/4				
ZJ87-5HS-36	4 1/2					ZJ10-5HS-36	4 1/2				
ZJ87-5HS-38	4 3/4					ZJ10-5HS-38	4 3/4				
ZJ87-5HS-40	5					ZJ10-5HS-40	5				
ZJ87-5HS-42	5 1/4					ZJ10-5HS-42	5 1/4				
ZJ87-5HS-44	5 1/2					ZJ10-5HS-44	5 1/2				
ZJ87-5HS-46	5 3/4					ZJ10-5HS-46	5 3/4				
ZJ87-5HS-48	6					ZJ10-5HS-48	6				
ZJ87-H6S-08	1					ZJ10-H6S-04	1/2				
ZJ87-H6S-10	1 1/2					ZJ10-H6S-06	3/4				
ZJ87-H6S-12	1 1/4					ZJ10-H6S-08	1				
ZJ87-H6S-14	1 3/4					ZJ10-H6S-10	1 1/4				
ZJ87-H6S-16	2					ZJ10-H6S-12	1 1/2				
ZJ87-H6S-18	2 1/4					ZJ10-H6S-14	1 3/4				
ZJ87-H6S-20	2 1/2					ZJ10-H6S-16	2				
ZJ87-H6S-22	2 3/4					ZJ10-H6S-18	2 1/4				
ZJ87-H6S-24	3					ZJ10-H6S-20	2 1/2				
ZJ87-H6S-26	3 1/4	.250	.995	7/8-14	6RW TAPER	ZJ10-H6S-22	2 3/4		1.120	1-12	6RW TAPER
ZJ87-H6S-28	3 1/2					ZJ10-H6S-24	3	.250			
ZJ87-H6S-30	3 3/4					ZJ10-H6S-26	3 1/4				
ZJ87-H6S-32	4					ZJ10-H6S-28	3 1/2				
ZJ87-H6S-34	4 1/4					ZJ10-H6S-30	3 3/4				
ZJ87-H6S-36	4 1/2					ZJ10-H6S-32	4				
ZJ87-H6S-38	4 3/4					ZJ10-H6S-34	4 1/4				
ZJ87-H6S-40	5					ZJ10-H6S-36	4 1/2				
ZJ87-H6S-42	5 1/4					ZJ10-H6S-38	4 3/4				
ZJ87-H6S-44	5 1/2					ZJ10-H6S-40	5				
ZJ87-H6S-46	5 3/4					ZJ10-H6S-42	5 1/4				
ZJ87-H6S-48	6					ZJ10-H6S-44	5 1/2				
						ZJ10-H6S-46	5 3/4				
						ZJ10-H6S-48	6				

ADDITIONAL SIZES ALSO AVAILABLE UPON REQUEST